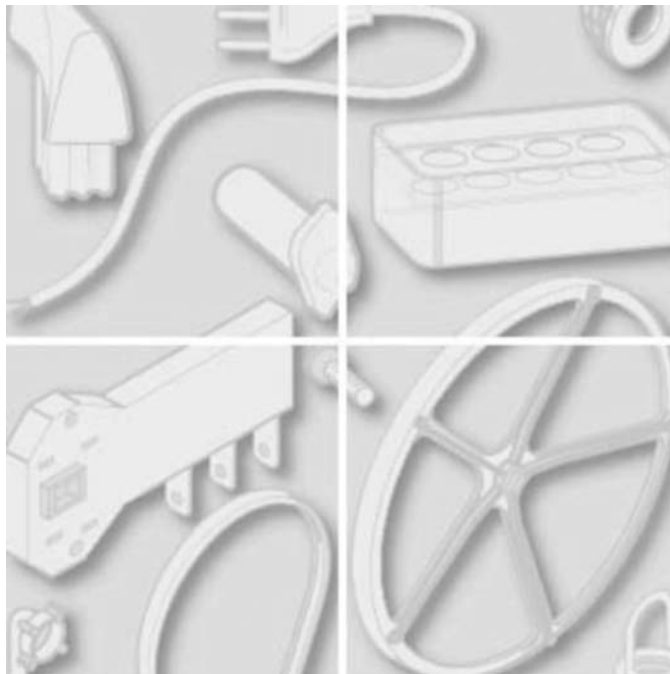




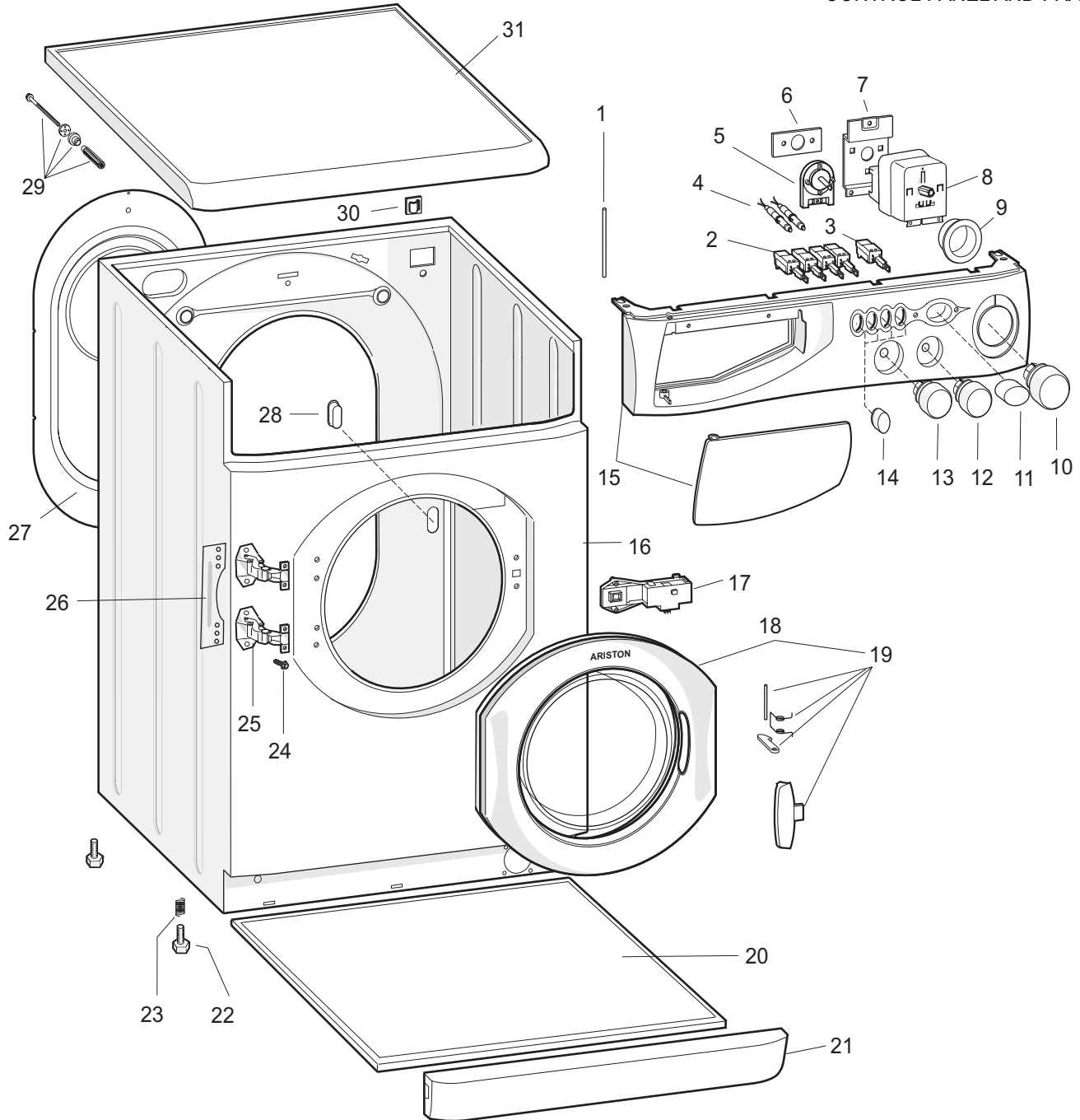
ARISTON

REPAIR PART DIAGRAMS

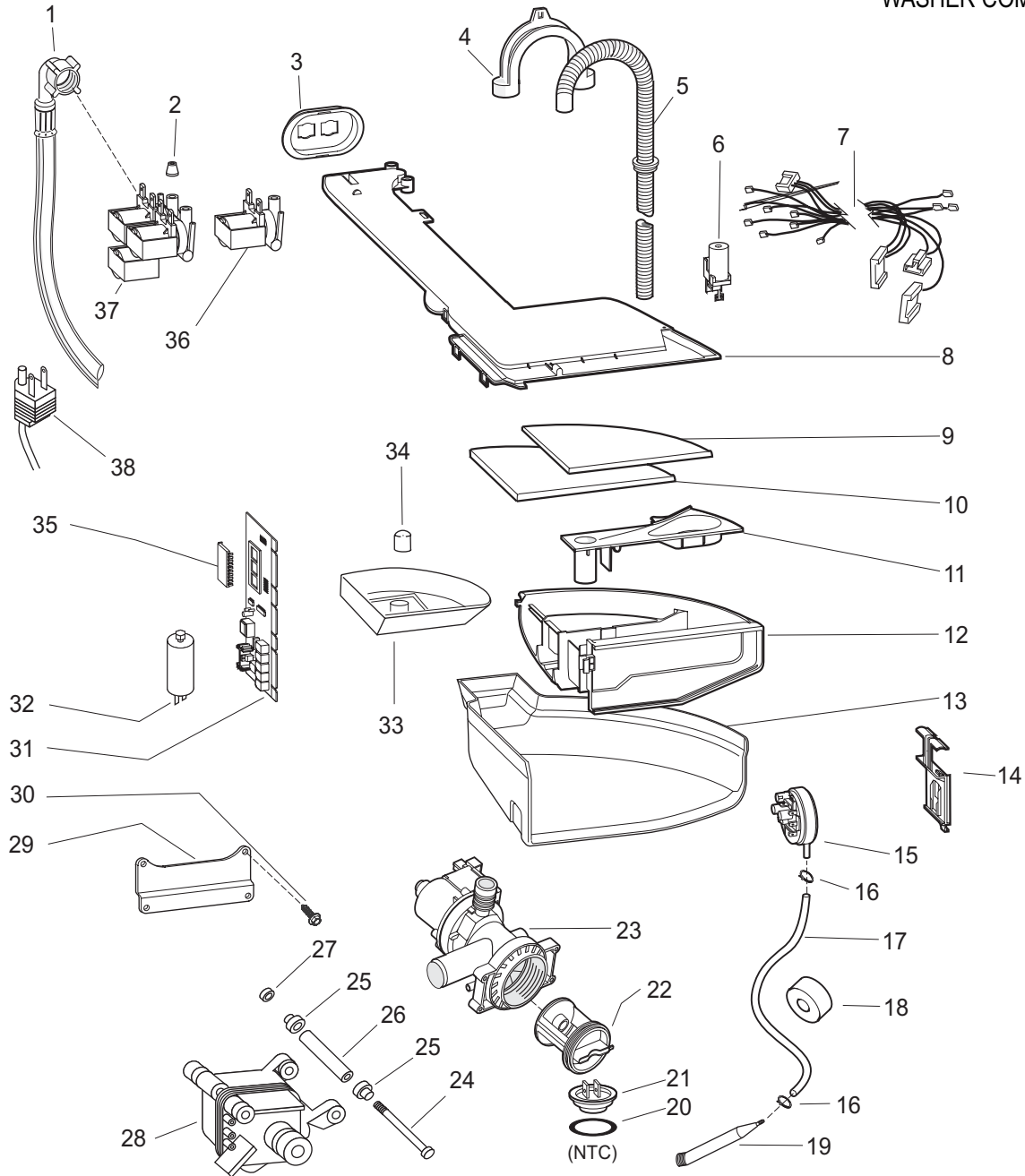


PRODUCT: WASHER/DRYER COMBO

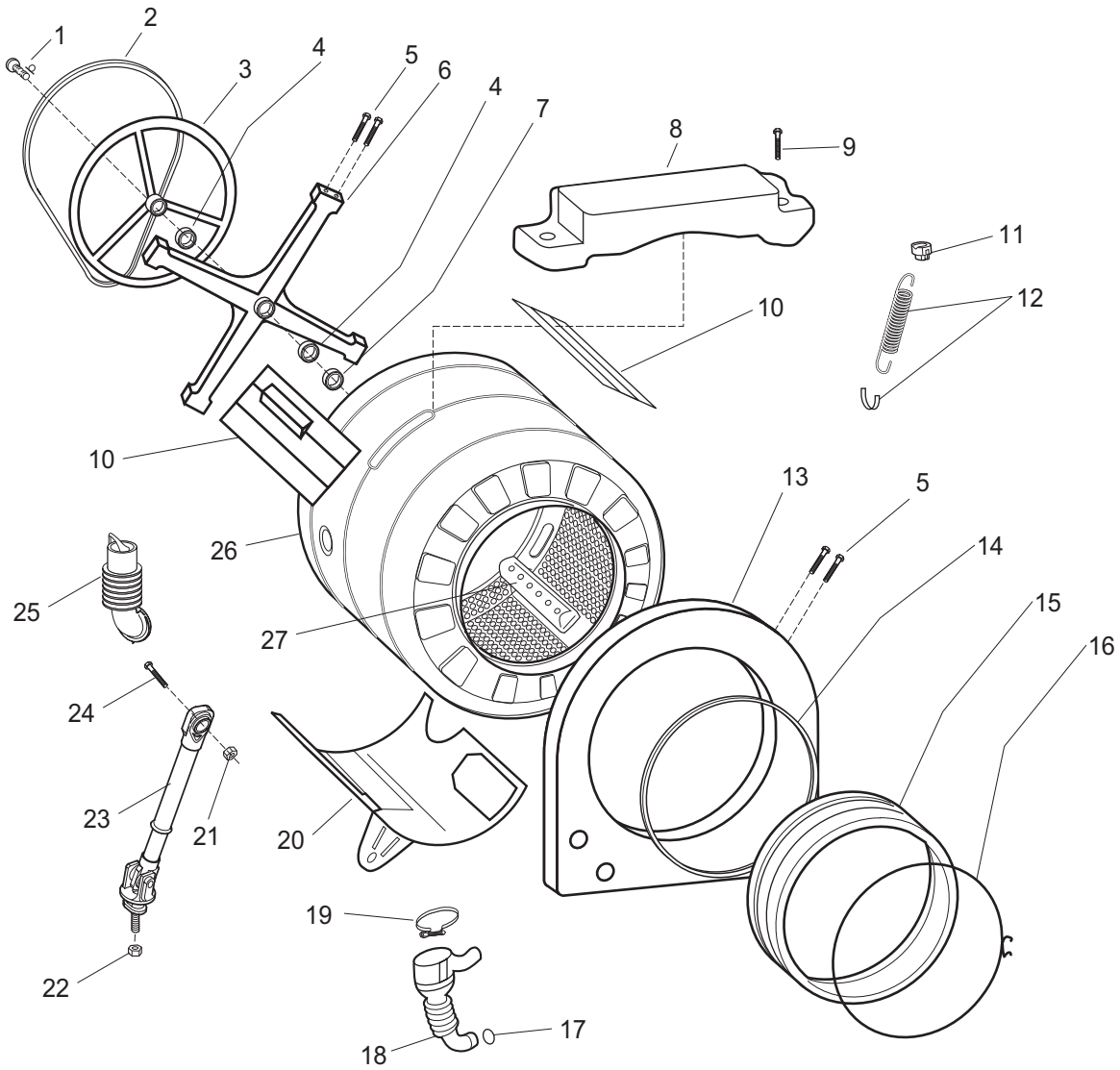
MODEL: AWD 129 NA



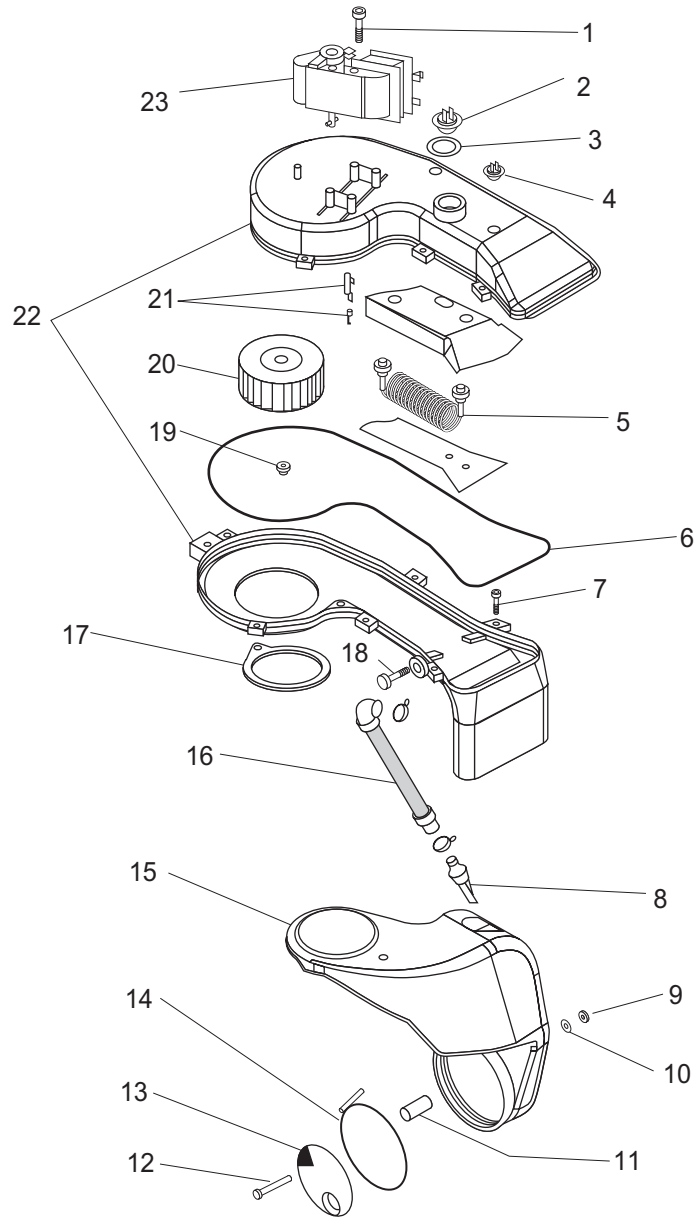
Item	Part #	Description	Item	Part #	Description
1	091882	Pivot Pin, Dispenser Drawer	17	090199	Door Interlock
2	088394	Selector Switch	18	083843	Door Assy., Platinum
3	090218	On / Off Switch	19	081331	Door Handle Assy., Platinum
4	086663	Indicator Lamp	20	090932	Base Plate
5	143096	Potentiometer	21	081310	Toe Kick, Platinum
6	091904	Mounting Plate, On-Off Switch	22	087084	Leveling Leg
7	064784	Bracket, Timer Support	23	083828	Spring
8	090195	Program Selector	24	074149	Bolt M4X9
9	143945	Program Disc	25	064541	Door Hinge Assy.
10	081481	Wash Timer Knob, Platinum	26	064539	Plate, Door Hinge
11	081315	Button, Platinum	27	099314	Rear Cover, Platinum
12	143943	Thermostat Knob, Platinum	28	084817	Cap
13	143942	Spin Speed Knob, Platinum	29	098182	Shipping Bolt Kit
14	081312	Button, Platinum	30	141387	Clamp, Drain Hose
15	143944	Control Panel Assy., Platinum	31	143946	Top Panel, Platinum
16	090580	Cabinet, Platinum			



Item	Part #	Description	Item	Part #	Description
1	069227	Inlet Hose	20	014917	Gasket, Temperature Sensor
2	064534	Seal, Water Valve	21	080767	Temperature Sensor (NTC)
3	066514	Support Water Valve	22	045027	Filter, Drain Pump
4	019902	Support Drain Hose	23	112504	Drain Pump
5	027466	Drain Hose	24	074152	Bolt M6 X 30
6	090332	Filter, Electronics	25	074151	Rubber Bushing
7	116106	Wire Harness	26	074153	Spacer
8	110431	Dispenser Cover	27	040932	Nut M6
9	143950	Program Guide	28	090196	Main Motor
10	065733	Support, Program Guide	29	081720	Mounting Plate
11	046154	Fabric Softener Cover	30	041611	Screw M8X15
12	046148	Soap Dispenser Drawer	31	109898	Control Board (must also order 143951)
13	092176	Soap Dispenser Housing	32	091054	Surge Protector
14	064537	Support, Pressure Switch	33	046152	Additive Container
15	090200	Pressure Switch	34	046157	Stopper, Detergent Dispenser
16	092412	Hose Clamp	35	143951	EEPROM Program Chip (must also order 109898)
17	041785	Hose, Air Trap	36	110452	Water Valve (hot)
18	019755	Foam Vibration Damper	37	116117	Water Valve, 3-Way (cold)
19	092173	Air Trap	38	098928	Power Cord

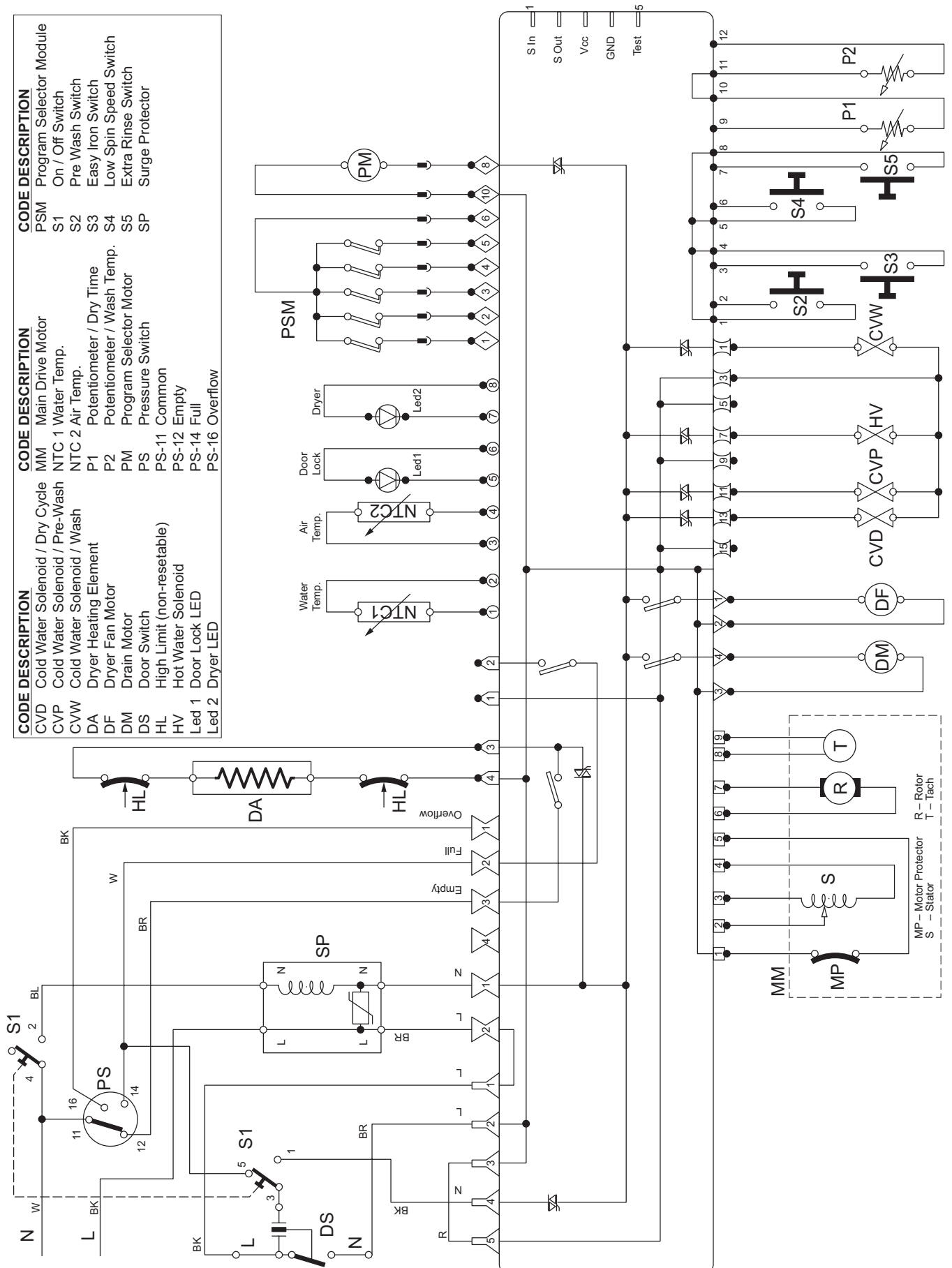


Item	Part #	Description	Item	Part #	Description
1	064782	Bolt M8X20	15	112498	Boot
2	118629	Belt	16	064546	Boot Clamping Ring
3	074211	Drum Pulley	17	092411	Clamp
4	013563	Bearing	18	092174	Hose, Tank to Pump
5	064785	Bolt M8X22	19	094908	Clamp
6	096077	Support Frame	20	093848	Tank Cradle, Outer
7	096186	Seal	21	098723	Nut M8
8	064548	Upper Counterweight	22	065152	Nut M6X20X1
9	088408	Bolt	23	110162	Shock Absorber
10	064517	Tank Cradle, Left & Right	24	110163	Bolt M8X45
11	141682	Spring Anchor	25	092161	Hose, Dispenser to Tank
12	064502	Spring	26	094279	Drum Assembly, Inner & Outer
13	092178	Front Counterweight	27	064789	Agitator
14	064547	Boot Clamp			



Item	Part #	Description	Item	Part #	Description
1	087921	Screw M3.5X30	13	143949	Trap
2	089982	NTC	14	080774	Clamp
3	080768	O-Ring	15	143947	Condenser
4	098739	High Limit	16	080769	Hose
5	110433	Heating Element	17	032844	Seal
6	032847	Manifold Seal	18	038358	Bolt M8X16
7	114390	Screw	19	032972	Nut
8	032845	Restrictor	20	080658	Fan
9	080960	Locking Nut	21	054790	Screw
10	097378	Gasket	22	087919	Manifold Assembly
11	080771	Sleeve	23	110434	Fan Motor
12	080773	Screw			

CODE DESCRIPTION	CODE DESCRIPTION	CODE DESCRIPTION
CVD Cold Water Solenoid / Dry Cycle	MM Main Drive Motor	PSM Program Selector Module
CVP Cold Water Solenoid / Pre-Wash	NTC 1 Water Temp.	S1 On / Off Switch
CVW Cold Water Solenoid / Wash	NTC 2 Air Temp.	S2 Pre Wash Switch
DA Dryer Heating Element	P1 Potentiometer / Dry Time	S3 Easy Iron Switch
DF Dryer Fan Motor	P2 Potentiometer / Wash Temp.	S4 Low Spin Speed Switch
DM Door Switch	PM Program Selector Motor	S5 Extra Rinse Switch
DS Door Switch	PS Pressure Switch	SP Surge Protector
HL High Limit (non-resettable)	PS-11 Common	
HV Hot Water Solenoid	PS-12 Empty	
Led 1 Door Lock LED	PS-14 Full	
Led 2 Dryer LED	PS-16 Overflow	





FAULT CODES

A repair fault is signaled by the continuous rotating of the Program Knob and the flashing of the Door Locked LED. The Fault Code is determined by counting the sequence of individual flashes of the LED (2 flashes = F2). The LED will flash the Fault Code sequence and then delay for approximately eight (8) seconds, repeating the Fault Code sequence and eight second delay continually.

TECH NOTE: The unit can be turned off without harm and the Fault Code sequence will repeat when power is reapplied.

F1. Triac Short

Replace Control Board.

F2. Main Motor

Check Main Motor connections.
Replace Main Motor.
Or, replace Control Board.

F3. NTC (Water Temp) Open / Short

Check wiring continuity to Control Board.
Replace NTC.
Or, replace Control Board.

F4. Pressure Switch

Check wiring continuity to Control Board.
Replace Pressure Switch.
Or, replace Control Board.

F5. Blocked Drain Motor or Pressure Switch shorted in Empty position

Check Drain Hose.
Check Drain Motor clean out for obstruction.
Check voltage at Drain Motor.
Check Pressure Switch wiring continuity.
Replace Drain Motor / Pressure Switch.
Or, replace Control Board.

F6. Program Selector

Check wiring continuity to Control Board.
Replace Program Selector.
Or, replace Control Board.

F7. Not Used

F8. Pressure Switch Shorted in Full Position

Check Pressure Switch wiring continuity.
Or, replace Pressure Switch.
Or, replace Control Board.

F9. Control Board Error

Incorrect version of Control Board or EEPROM.
Change Control Board and EEPROM.

F10. Pressure Switch Shorted

Check wiring continuity to Control Board.
Replace Pressure Switch.
Or, replace Control Board.

F11. Drain Motor

Check wiring continuity to Control Board.
Check Drain Motor clean out for obstruction.
Voltage check at Drain Motor.
Check Pressure Switch.
Replace Drain Motor.
Or, replace Control Board.

F12. Not Used

F13 - F16 Apply Only to AWD 120

F13. NTC (Dryer Temp) Open / Short

Check wiring continuity to Control Board.
Replace NTC.
Or, replace Control Board.

F14. Dryer Heating Element is Open

Check Dryer Heating Element continuity.
Check wiring from Element to Control Board.
Replace Heating Element.
Or, replace Control Board

F15. Dryer Heating Element Relay Shorted

Check Dryer Heating Element continuity.
Check wiring from Element to Control Board.
Replace Control Unit.

F16. Not Used